

CafeRomantica

Coffee/Esspresso machine
Manual and user tips

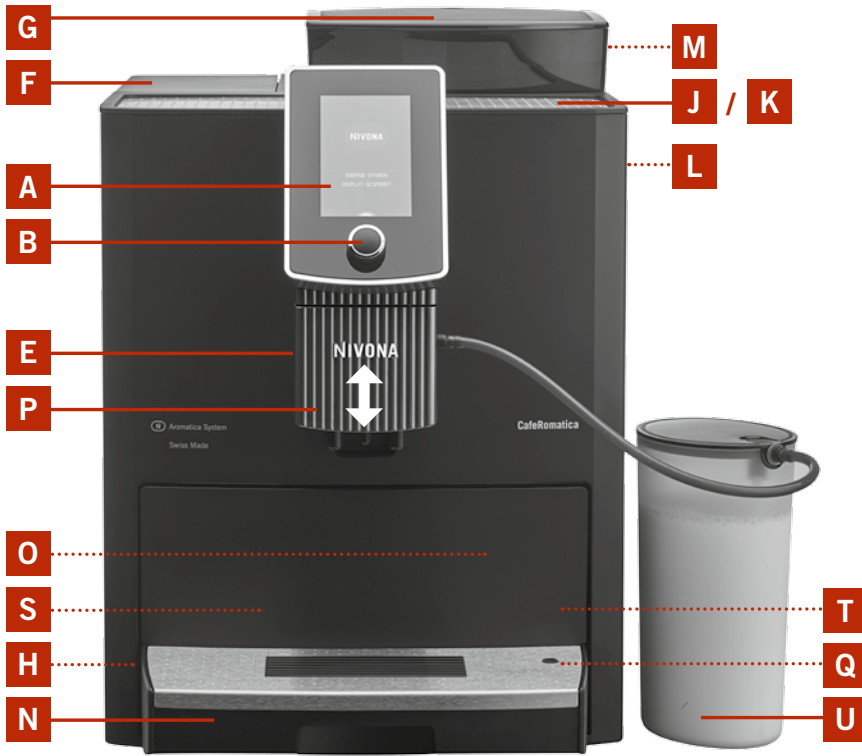
NICR10..



NIVONA

A passion for coffee.

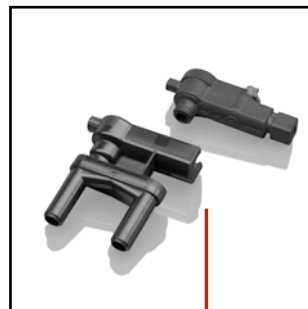
1



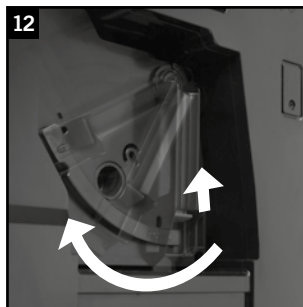
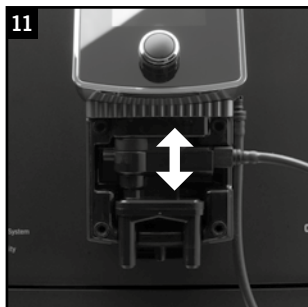
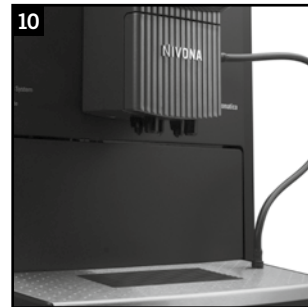
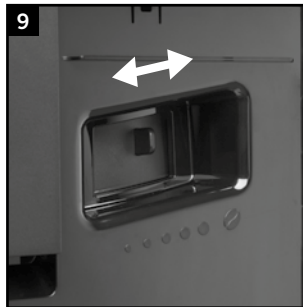
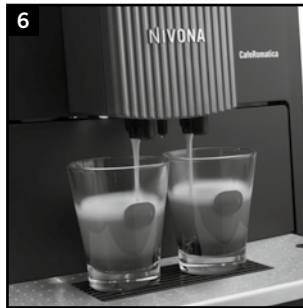
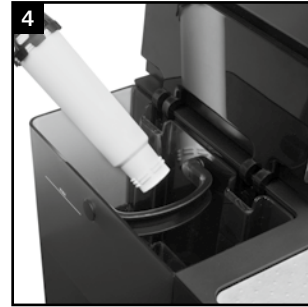
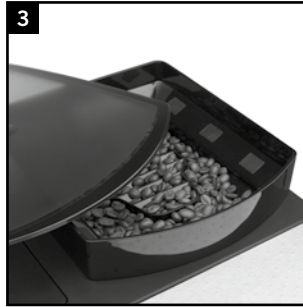
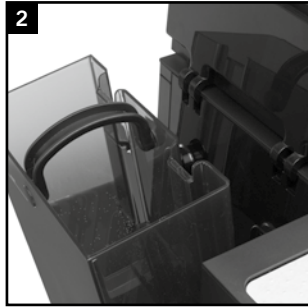
- A** Display and touch screen
(main menu)
- B** Rotary control
- C** Symbol for settings
- D** Symbol for maintenance
- E** Height-adjustable spout
- F** Cover for water tank
- G** Cover for coffee bean container
- H** On/off switch
- J** Cup rack
- K** Cup heating rack
- L** Service door
- M** Lid of ground coffee chute
- N** Drip tray
- O** Used coffee container
(inside)
- P** Cover
- Q** Back rollers
(at the back)
- R** Foaming appliance parts
- S** Type label
(remove drip tray)
- T** Power cord bay
(at the back)
- U** Milk Cooler



C D



R



Dear Customer,

Congratulations and thank you very much for choosing a quality product by NIVONA.

To best enjoy your new NIVONA appliance, please read this manual carefully and pay attention to the safety tips before first use.

Please keep this manual safe. You can use it for reference and hand it over to a future owner should you ever wish to part with your NIVONA appliance.

An App for your NIVONA appliance is available in the Google Play Store or Apple App Store which will allow you to control and operate the primary functions of the appliance. The "BLUETOOTH" menu enables you to connect or disconnect your smart phone to your appliance (see 3.10).

Enjoy your coffee and the top-quality appliance by NIVONA.

Purchased at

Location, date

1. SAFETY INFORMATION	75
2. INITIAL START-UP	76
2.1. Getting started	76
2.2. The most important controls	77
2.3. Filling with water and beans	77
2.4. Switching appliance on and performing initial start	77
2.5. Switching the appliance on during operation	79
2.6. ECO mode	80
3. SETTING/ADJUSTING BASIC SETTINGS	80
3.1. Setting the appliance for use with or without filter	80
3.2. Setting the water hardness level	80
3.3. Adjusting the aroma	80
3.4. Adjusting the temperature	81
3.5. Select language	81
3.6. Setting the times	81
3.7. Comfort Settings	82
3.8. View statistics	84
3.9. Factory settings	84
3.10. Bluetooth	84
4. PREPARING COFFEE SPECIALITIES	84
4.1. Preparing individual drinks each time	85
4.2. Adjusting standard settings for drinks without milk (ESPRESSO, COFFEE, CAFFÈ AMERICANO)	86
4.3. Adjusting standard settings for drinks with milk (CAPPUCCINO, CAFFÈ LATTE, LATTE MACCHIATO, WARM MILK, HOT MILK, MILK FROTH)	88
4.4. Adjusting standard settings for hot water (e.g. tea)	90
4.5. "My coffee" for me and others according to taste	91
4.6. Adjusting the degree of grinding	92
4.7. Making ground coffee (e.g. for decaffeinated coffee)	92
5. CLEANING AND MAINTENANCE	93
5.1. Rinsing the milk frother	93
5.2. System rinsing	93
5.3. Cleaning frother	94
5.4. System cleaning	94
5.5. Descaling	95
5.6. Regular manual cleaning	96
5.7. Cleaning the brew unit	97
5.8. Changing the filter	97
5.9. Maintenance status	98
6. SYSTEM REPORTS	99
7. PROBLEM SOLVING	100
8. REPLACEMENT PARTS/ACCESSORIES	101
9. CUSTOMER SERVICE, GUARANTEE, ENVIRONMENTAL PROTECTION	101
10. TECHNICAL DATA	102

1. Safety information

- This appliance is intended for use by individuals such as members of a household, or in staff kitchens associated with shops and other workplaces like offices, and by customers in rooms in hotels, motels and Bed & Breakfast accommodation (see terms of guarantee). Uses other than these will render the guarantee void.
- It is imperative that appliance voltage and mains voltage are identical. Please check the type label/sticker on the appliance (see fig. 1/S).
- Do not use the appliance if the power cable or the casing is damaged. The power cable must never come into contact with any hot surfaces.
- Always pull the plug, not the power cable, when unplugging the appliance from the wall socket.
- Please adhere to the cleaning and decalcifying instructions at all times! Non-compliance will render warranty claims void.
- Make sure that the appliance is switched off and unplugged before cleaning and servicing.
- Avoid spillage on the connector.
- Place the appliance on a flat and stable surface and only use it indoors. Never place the appliance on hot surfaces or near an open fire.
- This appliance may be used by **children** from the age of 8 as well as by persons with reduced physical, sensory or mental capabilities, or lack of experience and knowledge, as long as they are being supervised or have been given instructions for the safe use of the appliance, hence understanding the possible dangers. **Children** must not play with the appliance. Cleaning and **user maintenance** must not be undertaken by **children** without supervision, unless 8 or older and supervised. The appliance and its mains connections must be kept away from children under the age of 8.
- Always unplug the appliance from the mains if you are away for a few days.
- Do not leave the appliance on unnecessarily. Never immerse the appliance in water.
- Do not clean the appliance, or any parts thereof, in a dishwasher. Non-compliance will render warranty claims void.
- If the appliance shows any defect, unplug it immediately by pulling out the plug.
- The manufacturer will not be liable for possible damage to the appliance caused by incorrect, improper use or unqualified repair works. In these cases warranty

claims become void.

- Please use the integrated coffee grinder for roasted and untreated beans only, never for other foodstuffs! Please make sure there are no foreign substances among the coffee beans - failing this warranty claims will become void.
- If a repair is necessary (including replacement of the power cable), please first contact the central telephone support or the retailer where you bought the appliance – upon consultation and in accordance with item 9. of this manual send the appliance to **NIVONA Zentralkundendienst, Südwestpark 90, D-90449 Nürnberg**
- If the appliance's power cable is damaged, it must be replaced by the manufacturer, its customer service or a similarly qualified person to avoid danger.

⚠ Attention: Repairs to electrical appliances must only be undertaken by a professional! Improper repairs may result in severe danger for the user! Should the appliance be used or maintained improperly or incorrect, the warranty shall become void!

⚠ Attention: Using the on/off switch (fig.1/J) during the brewing process may damage the appliance! Turn the appliance off only after it has finished the job.

⚠ Attention: Risk of burning! When drawing steam or hot water, a shot of hot water may spray from the coffee spout. Allow the spout to cool down before you touch it.

2. Initial start-up

2.1. Getting started

→ Unpack the appliance and all items belonging to it with care.

The following are included in the package:

- User Manual
- Warranty card
- Measuring spoon with assembly assistance for filter insert
- Two cleaning tabs
- Two Claris filters
- One testing strip for water hardness
- One milk container incl. connecting tube

i Note: In case of customer service being required, the appliance should be shipped in its original packaging. Please keep this safe, including the polystyrene parts.

- Place the appliance on a flat, dry and suitable surface.
- Plug the power cord into a professionally installed mains socket.
- Your appliance has a power cord bay – if the cable is too long, place the excess length in the power cord bay at the back (fig. 1/T)

2.2. The most important controls

Your NIVONA appliance offers a variety of options to brew coffee according to your individual needs. Most functions will give you the choice of either using the touch screen (fig. 1/A) by touching it **or** the rotary control (fig. 1/B) by turning and pressing it. You can **also** use both controls alternately. Hereafter this will be indicated by the word "**or**". The main controls and how to use them are identical for most of the coffee specialities and settings.

- **Display and touch screen** (fig. 1/A): By touching a symbol (e.g. the symbol for settings or the symbol for care) you access the respective sub menu, where you can apply your settings. In the sub menus you choose a menu item by touching the arrow symbols. By touching OK you confirm the set value or menu item. By touching EXIT you leave the respective sub menu and move back one menu level. By touching START the required process or drink is started.
- **Rotary control-Push-Turn-Switch (short: rotary control)** (Bild 1/B): By turning the rotary control you change the set value or choose a menu item. Pressing the rotary control confirms the set value or menu item.
- **Symbol for settings** (fig. 1/C): By touching the symbol you access the sub menu, where you can apply your settings either with the rotary control or the touch screen.
- **Symbol for maintenance** (fig. 1/D): By touching the symbol you access the sub menu, where you can apply your settings either with the rotary control or the touch screen.
- **Height-adjustable spout** (fig. 1/E): The spout can be adjusted to the height of your cups and glasses by pushing it up or down. Hold the spout with thumb and index finger and move it up or down.

i Note: When you want to remove the drip tray or the used coffee container move the height-adjustable spout up.

- **MilkContainer:** Fill the MilkContainer with fresh, low-fat and cold milk. Close the lid and connect one end of the suction hose to the MilkContainer and the other end to the spout

👉 Tip: If the suction hose is not needed, you may leave one end in the spout and wedge the other end into the clamp at the spout.

2.3. Filling with water and beans

- Open the cover on the left (fig. 1/F) and remove the water tank (fig. 2). Clean it with clear, cold tap water.
- Refill the water tank to above the minimum mark (0.7 l) and insert it back into the appliance. Make sure the tank is safely locked in place.
- Close the cover on the left (fig. 1/F).

⚠ Attention: Only use clear, cold water for the water tank! Never use sparkling water or any other liquids! Non-compliance will render warranty claims void.

- Open the cover of the bean container (fig. 1/G and 3).
- Fill with untreated, roasted coffee beans only.
- Close the cover again and make sure it fits correctly.

⚠ Attention: Never use beans that have been treated during or after roasting with supplements such as sugar or similar. This may damage the mill. Resulting repairs are not covered by the warranty.

2.4. Switching appliance on and performing initial start

- Switch the appliance on with the on/off switch (fig. 1/H).

Please set the following basic settings before you start brewing your first coffee:

Setting the language

- Turn the rotary control to select your language.
- Press the rotary control to confirm your setting.

The display will now ask "INSERT FILTER?"

2.4.1. Using the appliance *with* filter

Included in the package is a Claris filter. When using this filter, the appliance needs to be descaled less frequently as it softens the water.

- Turn the rotary control to “YES” and press for the appliance to recognize that a filter is in use. Display shows “INSERT FILTER”.
- Empty the water tank (fig. 1/F and 2) and carefully screw the filter into the respective slot in the water tank, using the integrated tool at the end of the measuring spoon (fig. 4).

⚠ Attention: Do not overtighten or break.

- Fill the tank with fresh water to above the minimum mark (0.7 l) and insert it back into the appliance.
- Close the cover on the left (fig. 1/F)
- Place a sufficiently large bowl (minimum contents 0.5 l) underneath the spout (fig. 1/E) and press the rotary control or touch the continue symbol.

The system is now being flushed. The display shows “FILTER FLUSHES”.

- Wait until no more water emerges from the spout.

The display shows “PLEASE Flush”.

- Press the rotary control **or** touch the start symbol. The display shows “SYSTEM FLUSHES”.

Once the appliance has reached operating temperature, the main menu with the drinks symbols will appear in the display to show that the appliance is ready for use.

The first cup: When you prepare your first cup of coffee the grinder will be empty. It is possible that after the initial grinding the display will show “REFILL BEANS” and no coffee is produced.

- If that happens, please follow the display’s instruction and press the rotary control again.

The process will then be repeated.

ⓘ Note: If you are using a filter and programmed the system to “FILTER INSERTED? YES”, the internal water softening is automatically set to water hardness level 1. The appliance needs descaling less frequently – but always descale when asked to do so and always with FILTER REMOVED. The filter will need to be changed after approx. 50 l of water have been drawn (changing filter see 3.1).

⚠ Attention: Even if the display does not indicate “PLEASE CHANGE FILTER”, the filter needs changing after a maximum of two months if the appliance is not used regularly (see 5.8.).

2.4.2. Using the appliance *without* filter

If you prefer to use the appliance without filter, the filter setting “FILTER INSERTED? NO” **needs** to be set. This is important because depending on the water hardness the appliance needs to be descaled more often (ex-factory the appliance comes with the setting “FILTER INSERTED? NO”!).

- Turn the rotary control to “FILTER INSERTED? NO” and press to confirm.

The display shows the level of water hardness.

ⓘ Note: Due to production reasons the internal pipes may be empty when setting the appliance up for the first time. The appliance will show this as follows: On the display it says “PLEASE FILL”, once the appliance has been switched on with the On/Off switch (fig. 1/H).

- Place a sufficiently large bowl (minimum contents 0.5 l) underneath the spout.
- Press the rotary control.

The system is now being filled with water which may emerge from the spout (fig. 1/E).

Once the system has reached operating temperature, the display shows “PLEASE FILL”.

- Press the rotary control.

The system is now being filled with water.

2.4.3. Adjusting the water hardness

Depending on the water hardness in your area, the appliance needs to be descaled every now and then. For the system to be able to indicate that this is necessary, you need to set the correct water hardness **prior to first use**.

Level 3 is the ex-factory pre-set level.

First test the water quality with the enclosed test strip:

- Dip the test strip into the water and shake it lightly.
- After about one minute you will be able to read the result by counting the red dots on the test strip.
- The different levels are listed as follows and can be adjusted:
Test strip / Degree of hardness = Display
 1 red dot / 1–7° = LEVEL 1
 2 red dots / 8–14° = LEVEL 2
 3 red dots / 15–21° = LEVEL 3
 4 red dots / >21° = LEVEL 4

ⓘ Note: If the test strip does not show any red dots, please set up level 1.

How to set up the water hardness:

- Turn the rotary control onto the correct degree of hardness and press it to confirm.

The display shows “PLEASE FILL”.

- Press the rotary control **or** touch the start symbol. The display shows “SYSTEM IS FILLING”.

The system is now being filled with water and heated up.

The display shows “PLEASE RINSE”.

- Press the rotary control. The display shows “SYSTEM RINSES”.

Once the appliance is ready the display will show the main menu.

The first cup: When you prepare your first cup of coffee the grinder will be empty. It is possible that after the initial grinding the display will show “REFILL BEANS”, and no coffee is produced.

- Follow the display and press the rotary control again.

The process will then be repeated.

2.5. Switching the appliance on during operation

When you have started the appliance for the first time (see 2.4), proceed as follows for all other start-ups:

- Switch the appliance on using the on/off switch (fig. 1/H).

The display shows “NIVONA, SYSTEM IS HEATING UP”.

Once production temperature has been reached, the display shows “PLEASE RINSE”.

- Press the rotary control **or** touch the start symbol.

The system is now being rinsed. The display shows “SYSTEM RINSES”. Afterwards the appliance is operational. The display shows the main menu (fig. 1/A).

ⓘ Note: If you do not use the appliance for a prolonged period of time (e.g. holidays), switch it off using the on/off switch (fig. 1/H) and unplug it from the mains.

ⓘ Note: Ex-factory the machine has a pre-programmed setting for each coffee speciality. This means that you can brew your first coffee straight away (see 4.). However, we do recommend making the necessary adjustments according to your preferences before you do so (see 3.)

2.6. ECO mode

If you do not use the rotary control or the touch screen for a prolonged period of time, the appliance will automatically revert to ECO mode. The display shows "SAVING ENERGY".

→ Press the rotary control to leave ECO mode.

The display shows the main menu.

3. Setting/adjusting basic settings

i **Note:** The machine has a pre-programmed ex-factory setting for each coffee variety. *This means that you can brew your first coffee straightaway (see 4.). However, we do recommend making the necessary adjustments according to your preferences before you do so.*

- To adjust the basic settings turn the rotary control in the main menu to "SETTINGS" or touch the settings symbol.
- Enter the "SETTINGS" menu by pressing the rotary control.
- Select the menu item that you want to adjust by turning the rotary control.
- Enter the chosen menu item by pressing the rotary control.
- Turning the rotary control adjusts the setting.
- Press the rotary control to confirm the selected setting.
- By selecting "EXIT" and then pressing the rotary control you move up one menu level: from the selected setting in "SETTINGS" to the main menu.

3.1. Setting the appliance for use with or without filter

- To adjust the mode turn the rotary control in the main menu to "SETTINGS". Then press the rotary control or touch the settings symbol.
- Select "FILTER" from the menu "SETTINGS" by turning the rotary control.

Using the appliance *with* filter: please follow the procedure in 2.4.1.

Using the appliance *without* filter: please follow the procedure in 2.4.2.

- You can adjust the other settings directly from here or leave the menu by choosing "EXIT" and then press the rotary control.

3.2. Setting the water hardness level

- To adjust the water hardness turn the rotary control in the main menu to the "SETTINGS" menu and then press it or touch the settings symbol.
- Enter "SETTINGS" and select "WATER HARDNESS" by pressing the rotary control.

Then follow the procedure in 2.4.3

- You can adjust the other settings directly from here or leave the menu by choosing "EXIT" and then press the rotary control.

3.3. Adjusting the aroma

You can adjust the aroma of your coffee according to taste. To do so, use one of the three profiles for varying water pressure in the "AROMA" menu. The "DYNAMIC" profile delivers dynamic percolation, "CONSTANT" stands for a constant and "INTENSE" for an intense percolation. The ex-factory setting is "INDIVIDUAL", which means that you can select your preferred aroma selection for each coffee recipe. Should you however opt for a pre-select aroma profile of 1,2 or 3, this will be applied to all coffee specialities.

i **Tip:** Test your preferred aroma selection on one drink.

- To change the aroma settings turn the rotary control in the main menu to "SETTINGS" and then press it or touch the settings symbol.
- Turn the rotary control to "AROMA" and press it.
- Turn the rotary control to select the aroma profile of your choice.

- Press the rotary control to confirm your choice.
- You can adjust the other settings directly from here or leave the menu by choosing "EXIT" and then press the rotary control.

3.4. Adjusting the temperature

You can adjust the temperature as required for coffee, milk and hot water to "STANDARD", "HIGH", "MAXIMUM" or "INDIVIDUAL". The ex-factory setting is "HIGH". If the temperature has been adjusted as outlined below this applies to all coffee varieties.

You can however set the temperature for each coffee variety as "INDIVIDUAL" (see 4. below.) Adjust the temperature settings in the "INDIVIDUAL" menu as follows:

- To change the temperature turn the rotary control in the main menu to "SETTINGS" and press it or touch the settings symbol.
- Turn the rotary control to "TEMPERATURE" and press it.
- Turn the rotary control to coffee, milk or hot water.
- Press the rotary control to confirm your setting.
- Press the rotary control to set the required temperature.
- Press the rotary control to confirm your setting.

The display shows the other temperature settings for coffee, milk and hot water.

- You can adjust the other settings directly from here or leave the menu by choosing "EXIT" and then press the rotary control.

3.5. Select language

- To change the language turn the rotary control in the main menu to "SETTINGS" and press it or touch the settings symbol.
- In "SETTINGS" turn the rotary control to "LANGUAGE" and press it.
- By turning the rotary control you change the language.
- Press the rotary control to confirm the chosen language.
- You can adjust the other settings directly from here or leave the menu by choosing "EXIT" and then press the rotary control.

3.6. Setting the times

3.6.1. Set automatic switch-off time

This function allows you to determine the automatic switch-off time after the last use. The ex-factory setting is after "10 MINUTES".

- To change the switch-off time turn the rotary control to "SETTINGS" in the main menu and press it or touch the settings symbol.
- Turn the rotary control to "TIMES" and press it.
- Turn the rotary control to "APPLIANCE AUTO-OFF" and press it.

The display shows the optional switch-off times.

- Turn the rotary control to the required switch-off time.
- Press the rotary control to confirm your choice.

The display shows the other time settings. Your appliance will now automatically shut down after use according to the switch-off time.

- You can adjust the other settings directly from here or leave the menu by using "EXIT" and then press the rotary control.

3.6.2. Set automatic switch-on time

Your appliance can be set to automatically switch on at a required time; e.g. to be up and running in time for breakfast. How to set the switch-on time:

- Turn the rotary control in the main menu to “SETTINGS” and press it **or** touch the settings symbol.
- Turn the rotary control to “TIMES” and press it.
- Turn the rotary control to “APPLIANCE AUTO-ON” and press it.
- Turn the rotary control to “ACTIVATE” and press it.

The display shows the time of day.

- Turn the rotary control to the actual hour and press it.
- Turn the rotary control to the actual minute and press it.

The time of day is set. The display shows “SET AUTO-ON SETTINGS”.

- Turn the rotary control to the hour of the required switch-on time and press it.
- Turn the rotary control to the minute of the required switch-on time and press it.

The switch-on time is now set.

How to switch the automatic switch-on time off:

- Turn the rotary control in the main menu to “SETTINGS” and press it **or** touch the settings symbol.
- Turn the rotary control to “TIMES” and press it.
- Turn the rotary control to “APPLIANCE AUTO-ON” and press it.
- Turn the rotary control to “DEACTIVATE” and press it.

The automatic switch-on time is now cancelled.

- You can adjust the other settings directly from here or leave the menu by using “EXIT” and then press the rotary control.

⚠ Attention: If the appliance has been disconnected from main electricity or a power failure occurred, you need to set time anew to use the automatic switch-on time.

i Note: Remember to switch to and from daylight saving time.

3.7. Comfort Settings

3.7.1. Cup heating

Using this function the cup heating will be automatically started when the appliance is switched on (“CUP HEATING ON”).

- To change the settings turn the rotary control in the main menu to “SETTINGS” and then press it **or** touch the settings symbol.
- Turn the rotary control to “COMFORT SETTINGS” and press it.
- Turn the rotary control to “CUP HEATING” and press it.
- Turn the rotary control to your preferred energy management “ON” or “ECO” and press it.

The display shows the other settings.

- You can adjust the other comfort settings directly from here or leave the menu by using “EXIT” and then press the rotary control.

3.7.2. Locking Display

This function allows you to select whether the touch screen function of the display is locked or not. If you select “ON”, the display is locked if not used for a prolonged period of time. That way the appliance is secured against accidental use and saves energy.

i Note: A locked display may be released by using the rotary control.

- To change the settings turn the rotary control in the main menu to “SETTINGS” and press it **or** touch the Settings symbol.
- Turn the rotary control to “COMFORT SETTINGS” and press it.
- Turn the rotary control to “LOCK DISPLAY” and press it.
- Turn the rotary control to the referred setting “ON” or “OFF” and press it.

The display shows the other settings.

- You can adjust the other comfort settings directly from here or leave the menu by using “EXIT” and then press the rotary control.

3.7.3. Dairy products

With this function you can decide if you want to allow dairy products or not. You may for example refuse dairy products if you cannot guarantee that your appliance is cleaned regularly.

- To change the settings turn the rotary control in the main menu to “SETTINGS” and press it **or** touch the settings symbol.
- Turn the rotary control to “COMFORT SETTINGS” and press it.
- Turn the rotary control to “DAIRY PRODUCTS” and press it.
- Turn the rotary control to preferred setting “ON” or “OFF” and press it.

The display shows the other settings.

- You can adjust the other comfort settings directly from here or leave the menu by using “EXIT” and then press the rotary control.

3.7.4. Switch-off rinsing

Ex-factory the **automatic switch-on** rinsing function is permanently installed. Every time the appliance is switched on after an inactive state, it will heat the water up and ask for a rinse to ensure that fresh water is always used.

This request is shown in the display and needs to be started manually by pressing the rotary control **or** touching the Start symbol.

Ex-factory the **switch-off** rinsing is set on “ON”.

Optionally the automatic switch-off rinsing function can be de-activated after the appliance has been switched off:

- Turn the rotary control in the main menu to “SETTINGS” and press it **or** touch the Settings symbol.
- Turn the rotary control to “COMFORT SETTINGS” and press it.
- Turn the rotary control to “SWITCH-OFF RINSING” and press it.
- Turn the rotary control to “ON” or “OFF” and press it.

The display shows the other settings.

- You can adjust the other comfort settings directly from here or leave the menu by using “EXIT” and then press the rotary control.

i Note: Even if the switch-off rinse is set on “ON”, it will only be performed if at least one drink has been prepared.

3.7.5. Quick start

This function allows you to determine whether you activate the drink of your choice immediately with a single touch of your finger or if you want to change any other settings first. In this case you do the settings first and activate the drink separately. The latter is recommended for inexperienced users of the appliance.

- To change the setting turn the rotary control in the main menu to “SETTINGS” and press it **or** touch the settings symbol.
- Turn the rotary control to “COMFORT SETTING” and press it.
- Turn the rotary control to “QUICK START” and press it.
- Turn the rotary control to your preferred setting “ON” or “OFF” and press it.

The display shows the other settings.

- You can adjust the other comfort settings directly from here or leave the menu by using “EXIT” and then press the rotary control.

The display shows the other settings.

3.8. View statistics

The menu item "STATISTICS" details how many drinks and functions have been prepared/used set since the appliance's initial start-up.

- Turn the rotary control in the main menu to "SETTINGS" and press it **or** touch the settings symbol.
- Turn the rotary control to "STATISTICS" and press it.
- Turn the rotary control to view the statistics available.
- To close press the rotary control.

The display shows the other settings.

- You can adjust the other settings directly from here or leave the menu by using "EXIT" and then press the rotary control.

3.9. Factory settings

All changes made in the settings and all recipes can be reset in "FACTORY SETTINGS".

- Turn the rotary control in the main menu to "SETTINGS" and press it **or** touch the settings symbol.
- Turn the rotary control to "FACTORY SETTINGS" and press it.
- Turn the rotary control to "RESET RECIPES" or "RESET SETTINGS".
- Press the rotary control to confirm.
- You can adjust the other settings directly from here or leave the menu by choosing "EXIT" and then press the rotary control.

3.10. Bluetooth

An App for your NIVONA appliance is available in the Google Play Store or Apple App Store which will allow you to control and operate the primary functions of the appliance. The "BLUETOOTH" menu enables you to connect or disconnect your smart phone to your appliance.

- Turn the rotary control in the main menu to "SETTINGS" and press it **or** touch the settings symbol.
- Turn the rotary control to "BLUETOOTH" and press it.
- Turn the rotary control to "CONNECT" to establish a connection to you smartphone. Follow the instructions on your smartphone.
- Turn the rotary control to "DEACTIVATE" and press it to disconnect or to generally disallow connection.
- Press the rotary control to confirm.
- You can adjust the other settings directly from here or leave the menu by choosing "EXIT" and then press the rotary control.

4. Preparing coffee specialities

Your NIVONA appliance offers a variety of options to brew coffee according to your individual needs. Most functions will give you the choice of either using the touch screen (fig. 1/A) by touching it **or** the rotary control (fig. 1/B) by turning and pressing it. You can **also** use both controls alternately. Hereafter this will be indicated by the word "**or**". The main controls and how to use them are identical for most of the coffee specialities and settings.

- **Display and touch screen** (fig. 1/A): By touching a symbol (e.g. the symbol for settings or the symbol for care) you access the respective sub menu, where you can apply your settings. In the sub menus you choose a menu item by touching the arrow symbols. By touching OK you confirm the set value or menu item. By touching EXIT you leave the respective sub menu and move back one menu level. By touching START the required process or drink is started.
- **Rotary control-Push-Turn-Switch (short: rotary control)** (Bild 1/B): By turning the rotary control you change the set value or choose a menu item. Pressing the rotary control confirms the set value or menu item.
- **Symbol for settings** (fig. 1/C): By touching the symbol you access the sub menu, where you can apply your settings either with the rotary control or the touch screen.

- **Symbol for maintenance** (fig. 1/D): By touching the symbol you access the sub menu, where you can apply your settings either with the rotary control or the touch screen.
- **Height-adjustable spout** (fig. 1/E): The spout can be adjusted to the height of your cups and glasses by pushing it up or down. Hold the spout with thumb and index finger and move it up or down.

i Note: When you want to remove the drip tray or the used coffee container move the height-adjustable spout up.

- **MilkContainer:** Fill the MilkContainer with fresh, low-fat and cold milk. Close the lid and connect one end of the suction hose to the MilkContainer and the other end to the spout.

👍 Tip: If the suction hose is not needed, you may leave one end in the spout and wedge the other end into the clamp at the spout.

i Note: In the top line the display shows the current settings of the chosen coffee variety. Volume on the left, strength in the centre and aroma on the right.

Each coffee variety can be made in two separate ways:

a) Either you **change the setting for each coffee individually** as outlined in 4.1. **In this case the standard settings are preserved.**

b) Or you adopt the **standard settings** from "DRINKS RECIPES" in the "SETTINGS" menu. Pre-settings have been recorded ex-factory; you can adjust them as outlined from 4.2. to 4.5. according to your personal preference.

The first cup: When making your first coffee, the grinder box is still empty. It can therefore happen that the display will show "FILL BEANS" after the first grinding and the appliance will not make any coffee.

- Follow the instructions on the display and press the rotary control again.

The process will then be repeated.

Special requirements when preparing two cups:

- Start brewing by pressing the rotary control **or** touching START.
- To brew two cups one directly after the other, press the rotary control twice in quick succession **or** press the cup symbol in the lower middle of the display.

When brewing two cups at the same time, the grinder will automatically do two rounds. In case there is not enough water, the bean container runs empty or the trays need emptying during the two grinding cycles, the respective symbols will show on the display. In that case the second cup will not be brewed.

- Follow the display and press the rotary control **only** once for the second cup **or** touch START.

4.1. Preparing individual drinks each time

Regardless of the standard setting in the menu item "SETTINGS", "DRINKS RECIPES", each brewing process can be customised. The following instructions apply when the ex-factory is set as "OFF" (see 3.7.5.) under "QUICK START" in the menu "COMFORT SETTINGS".

- Turn the rotary control in the main menu to your preferred drink option (e.g. "LATTE MACCHIATO") and press it **or** touch the drink of your choice.

i Note: In the top line the display shows the current settings of the chosen coffee speciality. Volume on the left, strength in the centre and aroma on the right.

- Turn the rotary control until the required setting turns blue in the display and press it.
- Turn the rotary control to change the setting and press it to confirm.

i Note: This way you can change all settings shown in the display's top line **before** you brew your drink.

- Start the brewing process by pressing the rotary control **or** touch "START".

Your settings are adopted if no other changes take place.

i **Note:** Pay attention if you prepare one or two cups and place the cups accordingly under the spout (fig. 5 and 6).

i **Note:** Should you have initiated the brewing process accidentally or too early, it is possible to change a few parameters while making the coffee. A blinking display will show you which.

→ While the symbol blinks, turn the rotary control onto the required setting.

First the bean symbol for the aroma will blink, then the ml-indicator for the volume.

This way you can intervene at any given time.

→ If you want to stop the process, simply press the rotary control once or touch “ABORT”.

The display shows “ABORTED”. The appliance cancels the process and returns to main menu.

4.2 Adjusting standard settings for drinks *without* milk (ESPRESSO, COFFEE, CAFFÈ AMERICANO)

Ex-factory the standard setting is

- for Espresso: standard strength, quantity 40ml, aroma profile “INTENSE”, the display shows “40ml ooo III”
- for coffee: standard strength, quantity 120ml, aroma profile “DYNAMIC”, the display shows “120ml ooo I”
- for Caffè Americano: standard strength, quantity 120ml, aroma profile “CONSTANT”, the display shows “120ml ooo II”.

The following instructions apply when the ex-factory is set as “OFF” (see 3.7.5.) under “QUICK START” in the menu “COMFORT SETTINGS”.

→ Place a cup underneath the spout (fig. 5).

→ Turn the rotary control to the drink of your choice (e.g. Espresso) and press it **or** touch the required drink.

i **Note:** In the bottom line the display shows the current settings of the chosen coffee speciality. Volume on the left, strength in the centre and aroma profile on the right.

i **Note:** Pay attention if you prepare one or two cups and place the cups accordingly under the spout (fig. 5 and 6).

→ Turn the rotary control until the display turns blue on the required setting and press it.

→ Turn the rotary control to change the setting and press it to confirm.

i **Note:** This way you can change all settings shown in the display's top line before you brew your drink.

→ Start the brewing process by pressing the rotary control **or** touch “START”.

The cup light is switched on and the appliance prepares a cup of your selected drink in the standard setting.

Brewing two cups

→ To brew two cups one directly after the other press the rotary control immediately after the start of the process **or** touch the cup symbol below centre.

The display shows numbers “1” or “2” in the centre below.

→ If you want to stop the process, simply press the rotary control again.

The display shows “ABORTED”. The appliance cancels the process and returns to the main menu.

The standard setting can be altered in two different ways:

4.2.1. Live programming

You can change and save the standard setting during the brewing process as follows.

→ Turn the rotary control in the main menu to “SETTINGS” and press it **or** touch the settings symbol.

→ Turn the rotary control to “DRINK RECIPES” and press it.

→ Turn the rotary control to the drink of your choice (e.g. “ESPRESSO”) and press it.

→ Turn the rotary control to “LIVE PROGRAMMING”.

→ Place a cup underneath the spout (fig. 5).

→ To change the standard setting now press the rotary control.

The display shows “SELECT STRENGTH”.

→ Turn the rotary control to select your preferred strength (left for weaker, right for stronger).

→ Press the rotary control to confirm your choice of strength.

The display shows “SELECT AROMA”

→ Turn the rotary control to select your preferred aroma profile (see 3.3. for more information about the aroma profiles).

→ Press the rotary control to confirm your choice of aroma.

The display shows “PLEASE WAIT”. The appliance grinds, heats up and then starts the preparation.

The display shows “STOP COFFEE?”

→ Press the rotary control once the required amount of coffee is reached.

The standard setting for the drink of your choice (e.g. Espresso) has now been changed and saved. The display shows “RECIPE SAVED” for a short time and will then switch back to the main menu with the new standard settings.

4.2.2. Manual programming

You can also change the standard settings manually.

→ Turn the rotary control in the main menu to “SETTINGS” and press it **or** touch the settings symbol.

→ Turn the rotary control to “DRINK RECIPES” and press it.

→ Turn the rotary control to the drink of your choice (e.g. “ESPRESSO”) and press it.

Select strength

→ Turn the rotary control to “STRENGTH” and press it.

→ Turn the rotary control to select the strength of your choice (left for weaker, right for stronger). Press the rotary control to confirm the setting.

Select aroma

→ Turn the rotary control to “AROMA” and press it.

→ Turn the rotary control to select the aroma of your choice (see 3.3. for more information about the aroma profiles). Press the rotary control to confirm the setting.

Select quantity

→ Turn the rotary control to “COFFEE QUANTITY” and press it.

→ Turn the rotary control to select the quantity of your choice (from 20ml to 240ml) and press it.

i **Note:** Make sure that your cups fit.

Select temperature (if “INDIVIDUAL” is set in “SETTINGS”, “TEMPERATURE”, “COFFEE” (see 3.4.).

→ Turn the rotary control to “TEMP.COFFEE” and press it.

→ Turn the rotary control to the temperature of your choice (STANDARD, HIGH, MAXIMUM) and press it to confirm the setting.

→ To exit a menu level turn the rotary control to “EXIT” in each level. Then press it **or** touch “EXIT”.

→ Repeat this until you are back in the main menu.

i **Note:** If no changes are made to the settings for some time, the appliance switches back to the main menu automatically.

4.3. Adjusting standard settings for drinks with milk (CAPPUCCINO, CAFFÈ LATTE, LATTE MACCHIATO, WARM MILK, HOT MILK, MILK FROTH)

Ex-factory the standard settings are

- for Cappuccino: strength standard, quantity 200ml, aroma profile “CONSTANT”, the display shows “200ml ooo II”
- for Caffè Latte: strength standard, quantity 200ml, aroma profile “CONSTANT”, the display shows “200ml ooo II”
- for Latte Macchiato: strength standard, quantity 300ml, aroma profile “CONSTANT”, the display shows “300ml ooo II”.
- for warm milk: quantity 150ml, the display shows “150ml”.
- for hot milk: quantity 150ml, the display shows “150ml”.
- for milk froth: quantity 150ml, the display shows “150ml”.

Using the frother you can draw milk directly from the carton or any other container and pour it straight into a cup or glass.

- Connect the suction hose to the height-adjustable spout (fig.7).
- Connect the other end of the hose to the MilkCooler (fig. 8) or immerse it straight into the carton or another container.

⚠ Attention: Dried milk residue is difficult to remove. Please clean thoroughly as soon as it has cooled off! Always follow the display instruction “CLEAN FROTHER”.

The following instructions apply when the ex-factory is set as “OFF” (see 3.7.5.) under “QUICK START” in the menu “COMFORT SETTINGS”..

- Place a cup or a glass under the spout (fig. 5).
- Turn the rotary control to the drink of your choice (e.g. “LATTE MACCHIATO”) and press it **or** touch the requested drink symbol.

i Note: In the top line the display shows the current settings of the chosen coffee specialty. Volume on the left, strength in the centre and aroma on the right.

- Turn the rotary control until the display turns blue in the required setting and press it.
- Turn the rotary control to change the setting and press it to confirm.

i Note: All settings displayed in the top line can be changed *before* you start brewing.

- Press the rotary control to start the brewing process after having changed the settings **or** touch “START”.

The cup light is switched on and the appliance prepares a cup or glass of your selected drink in the standard setting.

Brewing two cups:

- To brew two cups one directly after the other, press the rotary control immediately after the start of the process **or** touch the cup symbol below centre.

The display shows numbers “1” or “2” in the centre below.

- If you want to stop the process, simply press the rotary control again.

The display shows “ABORTED”. The appliance cancels the process and returns to main menu.

The standard setting can be altered in two different ways:

4.3.1. Live programming

You can change and save the standard setting during the brewing process as follows.

- Turn the rotary control in the main menu to “SETTINGS” and press it **or** touch the settings symbol.
- Turn the rotary control to “DRINK RECIPES” and press it.

- Turn the rotary control to the drink of your choice (e.g. “LATTE MACCHIATO”) and press it.
- Turn the rotary control to “LIVE PROGRAMMING”.
- To change the standard setting, now press the rotary control.

Cappuccino, Caffè Latte and Latte Macchiato:

The display shows “SELECT STRENGTH”.

- Turn the rotary control to select the strength of your choice (left for weaker, right for stronger coffee).
- Press the rotary control to confirm your choice of strength.

The display shows “SELECT AROMA”.

- Turn the rotary control to select the aroma of your choice (see 3.3. for information about the aroma profiles).
- Press the rotary control to confirm your aroma choice.

The display shows “PLEASE WAIT”. The appliance heats up and will start the preparation.

Latte Macchiato, Warm Milk, Hot Milk and Milk Froth:

The milk will be prepared first.

The display shows “STOP MILK?”

- Press the rotary control when the required amount of milk is reached.

All drinks with milk:

The froth is made next.

The display shows “STOP FROTH?”

- Press the rotary control when the required quantity of froth is reached.

Cappuccino, Caffè Latte and Latte Macchiato:

Finally the coffee is brewed.

The display shows “STOP COFFEE?”

- Press the rotary control when the required quantity of coffee is reached.

The standard setting for the drink of your choice (e.g. Latte Macchiato) has now been altered and saved. The display shows “RECIPES SAVED” for a short time and will then switch back to the main menu with the new standard settings.

4.3.2. Manual programming

You can also change the standard settings manually as follows.

- Turn the rotary control in the main menu to “SETTINGS” and press it **or** touch the settings symbol.
- Turn the rotary control to “DRINK RECIPES” and press it.
- Turn the rotary control to the drink of your choice (e.g. “LATTE MACCHIATO”) and press it.

Select strength (Cappuccino, Caffè Latte and Latte Macchiato)

- Turn the rotary control to “STRENGTH” and press it.
- Turn the rotary control to select the strength of your choice (left for weaker, right for stronger coffee). Press the rotary control to confirm the setting.

Select aroma (Cappuccino, Caffè Latte and Latte Macchiato)

- Turn the rotary control to “AROMA” and press it.
- Turn the rotary control to select the aroma of your choice (see 3.3. for information about the aroma profiles). Press the rotary control to confirm the setting.

Select preparation (Cappuccino and Caffè Latte)

- Turn the rotary control to “PREPARATION” and press it.


- Turn the rotary control to your choice of preparation. In the setting MILK → COFFEE the milk/ milk froth is prepared first, then the coffee. The setting COFFEE → MILK starts with the coffee. In the setting MILK + COFFEE both are prepared simultaneously.

 **Tip: Try the different ways of preparation to find your personal favourite.**

- Press the rotary control to confirm the setting.


Select coffee quantity (Cappuccino, Caffè Latte and Latte Macchiato)

- Turn the rotary control to “COFFEE QUANTITY” and press it.
- Turn the rotary control to select the quantity of your choice. Press the rotary control to confirm your choice.

 **Note: Make sure that your cups or glasses fit.**


Select milk quantity (Caffè Latte, Latte Macchiato, Warm Milk and Hot Milk)

- Turn the rotary control to “MILK QUANTITY” and press it.
- Turn the rotary control to select the quantity of your choice and press it.

 **Note: Make sure that your cups or glasses fit.**

Select froth quantity (Cappuccino, Latte Macchiato, Milk Froth)


- Turn the rotary control to “FROTH QUANTITY” and press it.
- Turn the rotary control to select the quantity of your choice and press it.

 **Note: Make sure that your cups or glasses fit.**

Select total quantity (all drinks with milk)


 **Note: By changing this setting all previous settings will be adjusted accordingly.**

- Turn the rotary control to “TOTAL QUANTITY” and press it.
- Turn the rotary control to the quantity of your choice. Press the rotary control to confirm your setting.

 **Note: Make sure that your cups or glasses fit.**

Select temperature (if “TEMPERATURE”, “COFFEE” and/or “MILK”, see 3.4. “INDIVIDUAL”, is set in the menu “SETTINGS”)

- Turn the rotary control to “TEMP. COFFEE” and press it.
- Turn the rotary control to the temperature of your choice (STANDARD, HIGH, MAXIMUM) and press it to confirm the setting.
- Turn the rotary control to “TEMP. MILK” and press it.
- Turn the rotary control to the temperature of your choice (STANDARD, HIGH, MAXIMUM) and press it to confirm the setting.
- To exit a menu level turn the rotary control in each level to “EXIT”. Then press the rotary control or touch EXIT.
- Repeat this until you are back in the main menu.

 **Note: If no changes are made to the settings for some time, the appliance switches back to the main menu automatically.**

4.4. Adjusting standard settings for hot water (e.g. tea)

Ex-factory the standard setting for hot water is: 150ml.

The display shows: “150ml”

- Place a cup underneath the spout (fig. 5).
- Turn the rotary control to “HOT WATER” and press it or touch the hot water symbol.
- Press the rotary control or touch START.

The cup light switches on. The appliance prepares hot water in the standard setting.

The standard setting can be altered in two different ways:

4.4.1. Live Programmierung

You can change and save the standard setting during the brewing process as follows.

- Turn the rotary control in the main menu to “SETTINGS” and then press it or touch the settings symbol.
- Turn the rotary control to “DRINK RECIPES” and press it.
- Turn the rotary control to “HOT Water” and press it.
- Turn the rotary control to “LIVE PROGRAMMING”.
- To change the standard setting now press the rotary control or touch START.

The display shows “PLEASE WAIT”. The appliance heats up and will start the preparation.

The display shows “STOP HOT WATER?”

- Press the rotary control when the required quantity of hot water is reached.

The standard setting has now been altered and saved. The display shows “RECIPE SAVED” for a short time and will then switch back to the main menu with the new standard settings.


4.4.2. Manual programming

You can also change the standard setting manually as follows.

- Turn the rotary control in the main menu to “SETTINGS” and press it or touch the settings symbol.
- Turn the rotary control to “DRINK RECIPES” and press it.
- Turn the rotary control to “HOT WATER” and press it.


Select water quantity

- Turn the rotary control to “HOT WATER QUANTITY” and press it.
- Turn the rotary control to select the quantity of your choice (from 50ml to 500ml). Press the rotary control to confirm the setting.

 **Note: Make sure that your cups/glasses fit.**

Select temperature (if “TEMPERATURE” “HOT WATER”, see 3.4. “INDIVIDUAL”, is set in the menu “SETTINGS”)

- Turn the rotary control to “TEMP. HOT WATER” and press it.
- Turn the rotary control to the temperature of your choice (STANDARD, HIGH, MAXIMUM) and press to confirm the setting.
- To exit a menu level turn the rotary control to “EXIT” in each level and then press it or touch EXIT.
- Repeat until main menu appears.

 **Note: If no changes are made to the settings for some time, the appliance switches back to the main menu automatically.**

4.5. “My coffee” for me and others according to taste

Your appliance allows you to prepare a coffee for up to 20 persons or drinks according to taste.

Ex-factory only one drink is programmed with the standard setting for “MY COFFEE”: Volume per cup 120ml, strength standard, aroma profile “DYNAMIC”, 1 cup.

The display shows “120ml 000 l”.

You can also change the standard setting manually as follows.

- Turn the rotary control in the main menu to “SETTINGS” and press it or touch the settings symbol.
- Turn the rotary control to “DRINK RECIPES” and press it.
- Turn the rotary control to “MY COFFEE” and press it.

You can now alter an existing recipe or create a new one.

4.5.1. Adjust recipe

- Turn the rotary control to “EDIT” and press it.

- Turn the rotary control to the recipe that you wish to adjust. Ex-factory only one recipe is set under "MY COFFEE". Press the rotary control.

Under the menu item "CHANGE RECIPE" you can change the settings as described in 4.2. to 4.4.

Under the menu item "CHANGE DRINK" you can additionally change the chosen drink and its recipe as described in 4.2. to 4.4.

The menu item "CHANGE NAME" allows you to store each recipe under a specific name (e.g. of your family members).

- Turn the rotary control to the letter or symbol of your choice. Press the rotary control to enter the chosen letter or figure.
- Repeat this until the name of the recipe is completed.
- Turn the rotary control to "SELECT SYMBOL" (third last symbol in bottom line) to link your recipe to a symbol in the display. Press the rotary control.
- Turn the rotary control to a symbol of your choice and press it.
- To finish the process turn the rotary control to "CONFIRM NAME" (second to last symbol in bottom line) and press it.

By pressing "DELETE" you delete the chosen recipe.

By pressing "EXIT" (last symbol in bottom line) you leave the menu level.

4.5.2. Add a new recipe

- Turn the rotary control to "ADD" and press it.
- Turn the rotary control to the drink of your choice and press it.

The appliance is adopting all settings for the drink of your choice from the main menu.

As described in 4.2. to 4.5., you can now change the recipe and store it under a new name (e.g. of your family members) as described in 4.5.1.

4.6. Adjusting the degree of grinding

⚠ Attention: Only adjust the degree of grinding whilst the grinder is running.

You can adjust the grinder according to the particular blend of bean. We suggest keeping the grinder on a medium setting.

To change the degree of grinding, please follow these steps:

- Open the service door on the right of the casing (fig. 1/L) by pulling the inner handle slightly towards you and carefully move the service door away from casing.

The control for the degree of grinding is at the top right (fig. 9).

- Place a cup underneath the height-adjustable spout.
- Turn the rotary control in the main menu to "ESPRESSO" and press it **or** touch the Espresso symbol.
- Press the rotary control to start brewing the espresso **or** touch START.
- **While the grinder is working**, change the degree of grinding by moving the control (fig. 9).

Shifting the lever to the left, it gets finer, to the right coarser. The general rule:

- A light roast level needs finer grinding adjustment (control further to the left).
- A dark roast level requires coarser grinding adjustment (control further to the right).

👉 Tip: Check out for yourself the best setting according to your personal taste.

- Close the service door and in doing so carefully place the pivots at the back of the service door into the notches. Make sure that the door completely snaps back into place.

4.7. Making ground coffee (e.g. for decaffeinated coffee)

- Open the lid of the ground coffee chute (fig. 1/M).

The display shows "INSERT GROUND COFFEE".

- Pour in **one** level measuring spoon of ground coffee and close the lid. The display shows "GROUND COFFEE READY".
- Place a cup underneath the spout (fig. 5).
- Turn the rotary control in the main menu to the drink of your choice **or** touch the drink of your choice.
- Press the rotary control to start the preparation **or** touch START.

i Note: Should you have started the process accidentally or too early, you can change the quantity during preparation.

- When the "ml" display is blinking, turn the rotary control to the required position.
- If you want to stop the process, press the rotary control again

i Note: If you have opened the lid of the ground coffee chute accidentally or did not press the rotary control after having poured in the ground coffee, the appliance will automatically start rinsing for a minute once the lid is closed (fig. 1/E). It will then be operational again.

⚠ Attention: The ground coffee chute is not a storage container. Therefore never pour in more than one portion of coffee and only use fresh or vacuum-packed coffee ground from coffee beans. Do not use water-soluble instant coffee!

5. Cleaning and maintenance

Your NIVONA appliance will ask you for some of the cleaning and maintenance programmes listed below (e.g. "RINSE FROTHER"). They are shown in the display.

- If a cleaning or maintenance call appears, turn the rotary control in the main menu to the symbol with the tick „✓“. Press the rotary control **or** touch this symbol in the main menu.

The appliance will start the required cleaning or maintenance process and the display will inform you if further action is required.

- Follow the instructions in the display. If in doubt check in the following 5.1. to 5.9.

5.1. Rinsing the milk frother

⚠ Attention: Do not disrupt the running programme!

You should rinse the frother after each drink for which milk was used, but definitely when the display asks you to do so.

- Turn the rotary control to "MAINTENANCE" and press it **or** touch the maintenance symbol.
- Turn the rotary control to "RINSE FROTHER" and press it.

The display shows "HOSE ON SPOUT AND IN DRIP TRAY".

- Connect the hose provided to one end of the height-adjustable spout (fig. 7).
- Connect the other end to the back of the drip tray on the right (fig. 10).
- Place a sufficiently large bowl (at least 0.5l) underneath the height-adjustable spout.
- Press the rotary control **or** touch CONTINUE.

The display shows "RINSING FROTHER, DO NOT REMOVE HOSE". The appliance starts the cleaning process. Once the cleaning cycle is finished the appliance reheats and is ready for use. The display shows the main menu.

5.2. System rinsing

From time to time the system should be rinsed. Proceed as follows:

- Turn the rotary control to "MAINTENANCE" and press it **or** touch the maintenance symbol.
- Turn the rotary control to "SYSTEM RINSING" and press it.

The display shows "RINSING SYSTEM".

Once the rinsing cycle is finished, the appliance reheats and is ready for use. The display shows the main menu.

5.3. Cleaning frother

⚠ Attention: Do not disrupt the running programme!

i Note: When it is required the display will show “PLEASE CLEAN FROTHER”.

Proceed as follows:

- Turn the rotary control to “MAINTENANCE” and press it **or** touch the maintenance symbol.
- Turn the rotary control to “CLEAN FROTHER” and press it.

The display alternately shows “EMPTY TRAYS” and “FILL WATER”.

- Remove the drip tray and the used coffee container (fig. 1/N and 1/O) and empty both.
- If necessary refill the water tank with fresh water. Reinsert the water tank first, followed by drip tray and the used coffee container.

The display shows “HOSE ON SPOUT AND IN CLEANER”.

- Connect one end of the hose to the height-adjustable spout (fig. 7).
- Put some detergent (available as an optional accessory, see 8.) and water in a container, amounting to at least 0.3l. For the correct mix ratio follow the detergent manufacturer's instructions.
- Dip the other end of the hose into the cleaning solution.
- Place a sufficiently large bowl (at least 0.5l) underneath the height-adjustable spout.
- Press the rotary control **or** touch CONTINUE.

The display shows „CLEAN FROTHER“.

- Press the rotary control **or** touch START.

The appliance starts the cleaning process. The display shows “CLEANING FROTHER. DO NOT REMOVE HOSE”.

After a short while the display shows “HOSE ON SPOUT AND IN DRIP TRAY”

- Connect one end of the hose to the height-adjustable spout (fig. 7) and the other end to the drip tray (fig. 10).
- Press the rotary control **or** touch CONTINUE.

The display shows “CLEANING FROTHER, DO NOT REMOVE HOSE”.

Once the cleaning cycle is finished, the appliance starts heating up and is again ready for use.

- Empty the drip tray and used coffee container (fig. 1/N and 1/O) and reinsert them when cleaned.

The display shows main menu.

5.4. System cleaning

i Note: If the appliance needs cleaning, the display will show “PLEASE CLEAN SYSTEM”. You can continue making coffee, but we recommend starting the cleaning programme as soon as possible. Otherwise your warranty could be compromised.

⚠ Attention: Do not disrupt the cleaning process. Insert cleaning tablet only when the appliance asks for it.

- Turn the rotary control to “MAINTENANCE” and press it **or** touch the maintenance symbol.
- Turn the rotary control to “CLEAN SYSTEM” and press it.

The display alternately shows “EMPTY TRAYS” and “FILL WATER”.

- If necessary refill the water tank with fresh water and reinsert the water tank.
- Remove the drip tray and used coffee container (fig. 1/N and 1/O), empty both and reinsert them.

The appliance rinses twice. The display shows “CLEANING SYSTEM”.

The display then shows „REMOVE BREW UNIT AND RINSE WITH COLD WATER“.

- Open the service door on the right of the casing (fig. 1/L) by pulling the inner handle slightly towards you and carefully move the service door away from casing.
- Remove the brew unit by pressing the red switch upward and turning the handle all the way to the left until it snaps into place (fig. 12).
- Carefully remove the brew unit using the handle.
- Clean the brew unit under running water.

The display shows „CLEANING TABLET IN BREW UNIT“.

- Place the cleaning tablet in the round nozzle of the brewing unit (see display).

The display shows „INSERT BREW UNIT“.

- Reinsert the brew unit carefully and lock it by pressing down the red switch and turning the handle.
- Close the service door and in doing so carefully place the pivots at the back of the door into the notches. Make sure that the door (fig. 1/L) completely snaps back into place.
- Place a sufficiently large bowl (at least 0.5l) underneath the spout (fig. 1/E).

The display shows “START CLEANING”.

- Press the rotary control **or** touch START.

The appliance starts the cleaning process. The display shows “CLEANING SYSTEM”. The process is fully automated and takes approximately 10 minutes.

i Note: Should a message appear during the cleaning process, follow the indicated steps. The appliance will continue with the cleaning automatically afterwards.

Once the cleaning process is finished, the display shows “EMPTY TRAYS”.

- Remove the drip tray and the used coffee container (fig. 1/N and 1/O) and reinsert them both when cleaned.
- If necessary refill the water tank with fresh water.

The appliance reheats and is again ready for use. The display shows the main menu.

5.5. Descaling

If the appliance needs descaling, the display shows “PLEASE DESCALE SYSTEM”.

You can also start the descaling programme manually at any time.

⚠ Attention: Please make sure to follow each step exactly as outlined below! You can continue making coffee, but we recommend starting the descaling programme as soon as possible. Otherwise your warranty could be compromised.

⚠ Attention: Do not disrupt the descaling programme. Never use vinegar or vinegar-based agents, but only standard liquid products specifically recommended for automatic coffee machines.

⚠ Attention: Before starting the descaling programme remove the filter from the water tank.

- Turn the rotary control to “MAINTENANCE” and press it **or** touch the maintenance symbol.
- Turn the rotary control to “DESCALING SYSTEM” and press it.

The display shows “EMPTY TRAYS”.

- Remove the drip tray and the used coffee container (fig. 1/N and 1/O), and empty both.
- Reinsert the drip tray and used coffee container.

The display shows “REMOVE WATER TANK”.

- Remove the water tank.

The display alternately shows “FILL WATER TANK TO 0.7 L MARK” and “INSERT DESCALER AND ADD TANK”.

- Remove the filter. Fill the water tank to the 0.7l mark with fresh water and reinsert it.

⚠ Attention: Always add water first to the 0.7l mark and then the descaling agent. Never vice versa! Please follow the manufacturer's instructions on how to use the descaler.

→ Only now add the descaler.

The display shows "HOSE ON SPOUT AND IN DRIP TRAY".

- Connect one end of the hose to the height-adjustable spout (fig. 7).
- Connect the other end of the hose to the back of the drip tray on the right (fig. 10).
- Press the rotary control **or** touch CONTINUE.

The display shows "START DESCALING".

- Place a sufficiently large bowl (at least 0.5l) centrally underneath the spout (fig. 1/E).
- Press the rotary control **or** touch START.

The appliance starts the descaling process. The display shows "SYSTEM DESCALING, DO NOT REMOVE HOSE". The descaling process is automatic and takes approximately 30 minutes. The descaling solution is passed at intervals through the system.

Once the descaling cycle is completed, the display shows "EMPTY TRAYS".

- Remove the drip tray and the used coffee container (fig. 1/N and 1/O) and empty both.
- Reinsert the drip tray and used coffee container.
- Remove the water tank and rinse it with fresh water.
- Reinsert the filter into the water tank if required.
- Fill the water tank with fresh water and reinsert it.

The display shows "HOSE ON SPOUT AND IN DRIP TRAY".

- Connect the hose with one end to the height-adjustable spout (fig. 7).
- Connect the other end of the hose to the back of the drip tray on the right (fig. 10).
- Place a sufficiently large bowl (at least 0.5l) centrally underneath the spout (fig. 1/E).
- Press the rotary control **or** touch CONTINUE.

The display shows "PLEASE RINSE".

- Press the rotary control **or** touch START to start the rinsing process.

The display shows "SYSTEM RINSING, DO NOT REMOVE HOSE". The automatic cleaning process is started and lasts for approximately three minutes. Once the cycle is finished, the display shows "EMPTY TRAYS".

- Empty the drip tray and used coffee container (fig. 1/N and 1/O) and reinsert them both when cleaned.

The appliance reheats and is ready for use. The display shows the main menu.

⚠ Attention: Please immediately remove any descaler residues from the casing with a damp cloth.

5.6. Regular manual cleaning

i Note: Please follow these cleaning instructions. Working with foodstuffs demands the highest standards of cleanliness.

⚠ Attention: Never immerse the appliance in water! Do not use abrasive cleaning agents.

- Only use a soft, damp cloth without any detergent for cleaning the casing inside and out.

i Note: To clean the display while the appliance is running, you can lock the display by selecting "MAINTENANCE", "DISPLAY MAINTENANCE" and press the rotary control. Press again to unlock the display.

- Empty the drip tray (fig. 1/N) and used coffee container (fig. 1/O) at the latest when this is indicated on the display (only when the appliance is switched on!).

i Note: When cleaning the drip container (fig. 1/N) make sure that the two metal contacts and the space between them are always clean and dry! Use soapy water every now and again to clean.

- The water tank should be rinsed daily with clear water and then be re-filled daily with fresh cool water.

i Note: Dried milk residue is difficult to remove.

- Therefore clean frother, hose and spout regularly.

i Note: From time to time (ideally when the appliance will not be used for a while, but at any rate at regular intervals!) the frother needs to be completely dismantled and thoroughly cleaned under running water.

- Remove the cover (fig. 1/P) at the bottom of the height-adjustable spout.
- Pull the frother down and out (fig. 11) and dismantle it completely (fig. 1/R).
- Clean the components (fig. 1/R) thoroughly and reassemble the frother.
- Reinsert the assembled frother into the height-adjustable spout (fig. 11).
- Replace the cover on the height-adjustable spout (fig. 1/P)

i Note: Your appliance is equipped with back rollers (fig. 1/Q). They allow you to move the appliance on a flat working top. This way, you can also clean the space underneath the appliance.

5.7. Cleaning the brew unit

⚠ Attention: Remove the brew unit only when the appliance is switched off.

⚠ Attention: Clean the brew unit after each cleaning cycle, but at least once a month. Otherwise your warranty could be compromised.

When necessary the brew unit can be removed and cleaned under cold, running water. Never use cleaning agent, clear, cold water only! For reasons of hygiene we recommend the removal and cleaning of the unit thoroughly after each run of the cleaning programme (see 5.4.).

- Open the service door on the right of the casing (fig. 1/L) by pulling the inner handle slightly towards you and carefully move the service door away from casing.
- Remove the brew unit by pressing the red switch upward and turning the handle all the way to the left until it snaps into place (fig. 12).
- Carefully remove the brew unit using the handle.
- Clean the brew unit under running water and let it dry.
- Reinsert the brew unit carefully and lock it by pressing down the red switch and turning the handle.
- Close the service door and in doing so carefully place the pivots at the back of the door into the notches. Make sure that the door (fig. 1/L) completely snaps back into place.

5.8. Changing the filter

The filter will need to be changed after about 50 l of water have been drawn. The display shows "CHANGE FILTER".

You can still make coffee, but we recommend changing the filter immediately.

- Turn the rotary control to "SETTINGS" and press it **or** touch the Settings symbol.
- Turn the rotary control to "FILTER" and press it.
- Turn the rotary control to "INSERT FILTER? YES", so the appliance recognizes the new filter.
- Empty the water tank (fig. 1/F and 2) and unscrew the filter carefully, using the integrated tool at the end of the measuring spoon (fig. 4).
- Discard the filter.
- Press the rotary control.

The display shows "INSERT FILTER" or "FILTER INSERTED" in case the filter has already been replaced.

→ Screw the new filter into the dedicated slot in the water tank, using the integrated tool at the end of the measuring spoon (fig. 4).

⚠ Attention: Do not overtighten or bend the filter.

→ Fill the tank with fresh water and insert it back into the appliance.

→ Place a sufficiently large bowl (at least 0.5l) underneath the spout (fig. 1/E) and press the rotary control **or** touch CONTINUE.

The system is being rinsed. The display shows "FILTER RINSES".

→ Wait a short while until no more water is dispersed from the spout.

The system reheats. The appliance is ready for use again. The display shows the main menu.

⚠ Attention: The filter needs changing after a maximum of two months if the appliance is not in regular use. The display will show no status message. Use the dial (by the month) at the top of the filter to select the date of change.

5.9. Maintenance status

The appliance will indicate if cleaning or descaling is imminent.

→ Turn the rotary control to "MAINTENANCE" and press it.

→ Turn the rotary control to "MAINTENANCE STATUS" and press it.

The display shows:

"CLEANING SYSTEM"

"CLEANING LATER"

"DESCALING"

"CHANGE FILTER"

The respective bar will show you if cleaning or descaling is imminent. The further to the right it progresses, the sooner one or both need to be done.

→ Press the rotary control to exit "MAINTENANCE STATUS".

⚠ Attention: Please clean and descale regularly, at the latest when the display asks you to! Otherwise your warranty could be compromised.

6. System reports

Fault	Cause	Solution
Fill system	Refill pipe system	→ Press rotary control
	Filter possibly defect	→ Remove or replace filter
Fill water	Water tank is empty	→ Fill water tank
	Water tank not inserted or inserted incorrectly	→ Insert water tank correctly (see 2.3.)
Fill beans	No beans	→ Fill beans (see 2.3.)
	Beans stuck in container	→ Stir beans with a spoon → Clean bean container with a cloth
Note: The display "FILL BEANS" will only turn off after the next coffee request!		
Empty trays	Drip tray and/or used coffee container are full	→ Empty drip tray and/or used coffee container
	Contacts are damp	→ Clean and dry contacts.
No trays	No drip tray with used coffee container or incorrectly inserted	→ Reinsert drip tray with used coffee container
	Contacts are damp	→ Clean and dry contacts
Cleaning necessary	System cleaning necessary	→ Clean system (see 5.4.)
Descaling necessary	System descaling necessary	→ Descal system (see 5.5.)
Change filter	Filter exhausted	→ Change filter (see 5.8.)
Brew unit removed	Brew unit fitted incorrectly	→ Fit brew unit correctly und snap into place (see 5.7.)

7. Problem solving

Fault	Cause	Solution
No hot water or steam	Blocked frother (fig. 11)	→ Dismantle and thoroughly clean frother (fig. 11)
Not enough milk froth or liquid froth	System may need descaling	→ Please descale with a high dosage (see 5.5.)
	Unsuitable milk Blocked frother (fig. 11)	→ Use cold milk → Dismantle and thoroughly clean frother (fig. 11)
Coffee only drips	System may need descaling	→ Please descale with a high dosage (see 5.5.)
	Coffee is too finely ground	→ Set the grinder on a coarser degree (see 4.6.)
	Ground coffee too fine	→ Change to coarser ground coffee
No froth on the coffee	System may need descaling	→ Please descale with a high dosage (see 5.5.)
	Unsuitable coffee variety	→ Change coffee variety
	Beans may be too old	→ Use fresh beans
Loud noise from coffee grinder	Degree of grinding not adjusted to beans	→ Optimize degree of grinding to beans
	Foreign matter in grinder, e.g. small stones	→ Call service hotline, ground coffee can still be made
The display shows error 8 Service-Tel	Incorrectly fitted brew unit	→ Dismantle brew unit and clean (see 5.7.)

In the event of a fault or an error report which you cannot correct yourself, contact your retailer or go to the service area at www.nivona.com.

If the system detects any errors, the display will show an error report.

⚠ Attention: Make a note of the error report. Switch the appliance off and unplug it. Contact your retailer by quoting the model type, serial number (see type label fig. 1/S) and error number.

8. Replacement parts/Accessories

Extra bean container NIZB 410:

To extend the capacity of the bean container from approx. 600 g to approx. 1000 g beans an attachment is available from well-stocked dealers.

Fresh water filters NIRF 700:

New fresh water filters are available from well-stocked local dealers or directly from us.

Cleaning tablets NIRT 701:

New cleaning tablets are available from well-stocked local dealers or directly from us.

Descaling agent NIRK 703:

New descaling agents are available from well-stocked local dealers or directly from us.

Special milk residue cleaner NICC 705:

Special milk residue cleaner is available from well-stocked local dealers or directly from us.

MilkCooler NICT 500:

The top-quality stainless steel milk cooler keeps milk "fridge cold" for a long time and delivers the best frothing results.

MilkContainer NIMC 900:

Milk Container is made from transparent synthetic material to show the filling level at a glance.

9. Customer service, guarantee, environmental protection

Customer service

NIVONA products are manufactured to the highest quality standards. Should any question arise with regards to your appliance, please do not hesitate to write to us. Only with your active support will we be able to improve our products and further develop them, so that they will fully satisfy your needs.

Drying the appliance

In the event that you need to ship your faulty appliance, please make sure that no water remains in the system:

- Switch the appliance on using the main switch (fig. 1/H).
- Follow the instructions on the display.
- Turn the rotary control in the main menu to "MAINTENANCE" and press it **or** touch the maintenance symbol.
- Turn the rotary control to "EMPTY SYSTEM" and press it.

The display shows "REMOVE WATER TANK".

- Remove the water tank (fig. 2).

The display shows "HOSE ON SPOUT AND IN DRIP TRAY".

- Connect one end of the hose to the height-adjustable spout (fig. 7).
- Connect the other end of the hose to the back of the drip tray on the right (fig. 10).
- Place a sufficiently large bowl (at least 0.5l) underneath the spout (fig. 1/E).
- Press the rotary control **or** touch CONTINUE.

The display shows "STEAMING OFF DO NOT REMOVE HOSE".

The appliance is now steaming off and will switch off automatically.

- Remove the drip tray and the used coffee container (fig. 1/N and 1/O), and empty both.
- Reinsert empty water tank, drip tray and used coffee container.

Your appliance is now ready for shipment.

i Note: Please make sure that you pack the appliance very carefully before shipping, ideally in the original packaging. The manufacturer will assume no liabilities for damage in transit.

Guarantee and customer service terms and conditions

Please find detailed information about guarantee and customer service terms and conditions in the accompanying document.

Please dispose of filters with domestic waste.

Disposal of your old appliance and packaging

Please keep the original packaging. It will serve as protection should you need to ship the appliance in the event of a customer service issue.

Electrical and electronic appliances often contain valuable, but sometimes also environmentally damaging material and should therefore not be disposed of as normal household waste. They may damage human health and harm the environment when handled or left among residual waste. Therefore please drop your old or irreparably damaged appliance at your local community waste collection/recycling centre.

Further information is available from the dealer where you bought the appliance, your town hall or waste collector.

10. Technical data

Voltage 220 - 240V AC, 50/60 Hz

Power consumption 2700 W

NIVONA Apparate GmbH
Südwestpark 90
D-90449 Nürnberg
www.nivona.com

© 2016 by NIVONA